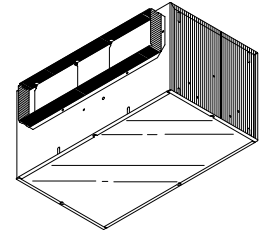


LOSONE® SELECT™ IN-LINE VENTILATORS MODELS L400L, L400KL, L500L, L500KL, L700L



Incredibly reliable. Unbelievably quiet. Offering the CFM choices you need at the lowest sound levels in the industry.

FEATURES

BLOWER:

- Low RPM for quiet operation
- Resilient anti-vibration mounts
- Balanced, polymeric, centrifugal blower wheel for quiet, efficient performance (Models L400KL & L500KL - dynamically-balance metal wheel)
- Permanently lubricated, thermally protected motor
- Plug-in motor rated at 120 VAC
- Designed for continuous operation

HOUSING:

- Rugged galvanized steel
- 4½" x 18½" duct connector
- 1/2" acoustic insulation inside (Models L400KL & L500KL - no insulation - for kitchen applications)
- May be installed in ceiling or wall (size permitting)
- 8-position mounting brackets for easy installation and greater adaptability to various mounting requirements
- Automatic backdraft damper located within duct connector
- Factory-shipped in horizontal discharge position
- Removable panel allows easy motor access without disturbing ductwork

CONTROLS:

- Model 57V (Ivory) / 57W (White) 3-Amp, Electronic Variable Speed Control
- Model 59V (Ivory) / 59W (White) 60-Minute Time Control
- Model 61V (Ivory) / 61W (White) 15-Minute Time Control
- Model 71V (Ivory) / 71W (White) 12-Hour Time Control
- Model 72V (Ivory) / 72W (White) 6-Amp, Electronic Variable Speed Control

TYPICAL SPECIFICATION

Ventilator shall be Broan Model L400L, (L400KL), (L500L), (L500KL), (L700L).

Ventilator shall have galvanized steel housing insulated with at least 1/2" of acoustic insulation (no insulation - L400KL & L500KL). Housing to have adjustable mounting brackets and removable panel to allow motor access without disturbing ductwork.

Automatic backdraft damper to be located within duct connector. Duct connector, blower assembly and wiring plate shall be adjustable for either horizontal or vertical installation.

Blower unit shall be removable from housing and will have a polymeric (metal - L400KL & L500KL), balanced, centrifugal-type blower wheel. Motor to be permanently lubricated and mounted with resilient anti-vibration mounts. RPM not to exceed number listed for each model.

Air delivery shall be no less and sound levels no greater than listed for each model. All air and sound ratings shall be certified by AMCA. Units to be UL listed.



"Broan Mfg. Co., Inc. certifies that the models shown herein are licensed to bear the AMCA Seal. The ratings shown are based on tests and procedures performed in accordance with AMCA Publication 211 (and AMCA Publication 311 if sound is also certified) and comply with the requirements of the AMCA Certified Ratings Program"



BROAN MFG. CO., INC./A NORTEK COMPANY HARTFORD, WISCONSIN 53027

REFERENCE	QTY.	REMARKS	Project
			Location
			Architect
			Engineer
			Contractor
			Submitted by Date

PERFORMANCE RATINGS - LOSONE® SELECT™ IN-LINE VENTILATORS MODELS L400L, L400KL, L500L, L500KL, & L700L

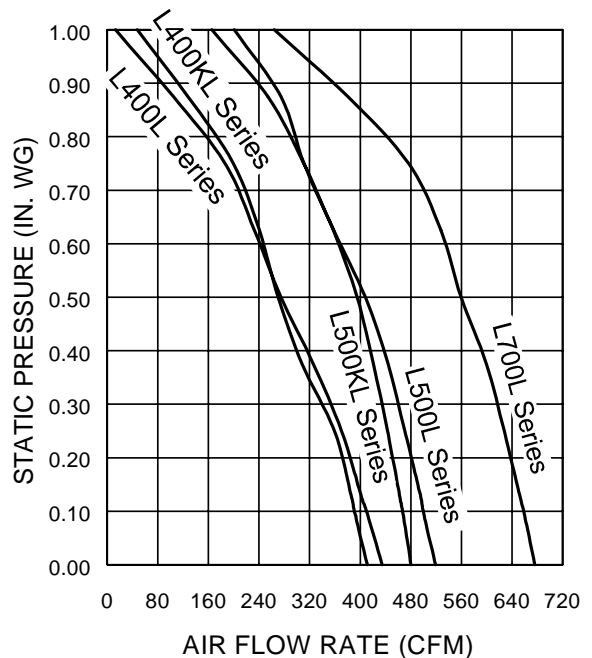
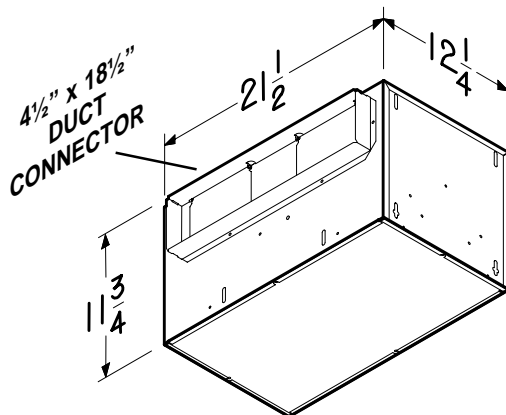
AMCA LICENSED PERFORMANCE

CFM / SONES - AT STATIC PRESSURES (Ps - inches of H ₂ O)																		
MODEL NO.	NOMINAL VOLTAGE		0.0" Ps	.10" Ps	.125" Ps	.250" Ps	.375" Ps	.50" Ps	.625" Ps	.750" Ps	.875" Ps	1.0" Ps	NOMINAL RPM	AMPS @60 Hz	WATTS			
L400L	120 VAC	CFM St.Thr.	451	423	414	379	324	277	236	190	96	6	810	1.3	132			
		SONES St.Thr.	1.3	1.4	1.4	1.6	2.5	3.3	3.5	3.5	3.7	3.7						
		CFM Rt.Ang.	419	397	391	362	328	272	231	183	113	20				870	1.6	165
		SONES Rt.Ang.	1.0	1.1	1.2	1.4	1.7	2.1	2.3	2.8	2.9	3.2						
L400KL	120 VAC	CFM St.Thr.	418	397	393	363	303	264	237	195	116	36	765	1.7	178			
		SONES St.Thr.	1.8	2.4	2.4	2.9	3.5	3.8	4.2	4.2	4.4	4.4						
		CFM Rt.Ang.	404	385	380	356	313	276	244	204	139	59				825	1.6	168
		SONES Rt.Ang.	1.3	1.6	2.0	1.9	2.4	2.5	2.7	2.8	3.1	3.3						
L500L	120 VAC	CFM St.Thr.	519	498	496	467	439	398	354	308	254	166	890	2.0	213			
		SONES St.Thr.	1.5	1.8	2.1	2.7	3.1	3.6	3.9	4.5	4.8	4.7						
		CFM Rt.Ang.	519	501	496	474	449	420	362	313	254	165				985	2.0	208
		SONES Rt.Ang.	1.7	2.0	2.1	2.4	2.6	3.0	3.4	3.8	3.8	3.9						
L500KL	120 VAC	CFM St.Thr.	485	471	467	445	420	390	348	300	261	187	815	2.2	220			
		SONES St.Thr.	2.2	2.2	2.5	3.1	3.7	4.3	4.3	5.4	5.6	5.8						
		CFM Rt.Ang.	476	463	459	441	422	400	367	322	288	215				910	2.1	214
		SONES Rt.Ang.	1.7	1.7	1.8	2.2	2.5	3.1	3.6	3.6	3.8	3.7						
L700L	120 VAC	CFM St.Thr.	702	681	677	647	617	576	541	488	395	274	1095	2.7	300			
		SONES St.Thr.	3.5	3.5	3.5	3.9	4.5	4.8	5.0	5.1	5.2	5.6						
		CFM Rt.Ang.	651	636	629	608	582	543	514	465	366	254				1150	2.7	297
		SONES Rt.Ang.	2.5	2.6	2.7	2.9	3.2	3.3	3.6	3.9	4.3	4.7						

The performances shown are with inlet grille, backdraft damper and outlet duct. RPM shown is nominal and the performance is based on actual speed of test. The sound ratings shown are loudness values in fan sones at 5' (1.5m) in a hemispherical free field calculated per AMCA Std. 301. Values shown are for installation Type B: free inlet fan sone levels.



"Broan Mfg. Co., Inc. certifies that the models shown herein are licensed to bear the AMCA Seal. The ratings shown are based on tests and procedures performed in accordance with AMCA Publication 211 (and AMCA Publication 311 if sound is also certified) and comply with the requirements of the AMCA Certified Ratings Program."



WEIGHT

MODEL NO.	SHIPPING WT.
L400L, L500L	33.9 lbs.
L400KL, L500KL	36.3 lbs.
L700L	34 lbs.



BROAN MFG. CO., INC. HARTFORD, WISCONSIN 53027
1-800-548-0790